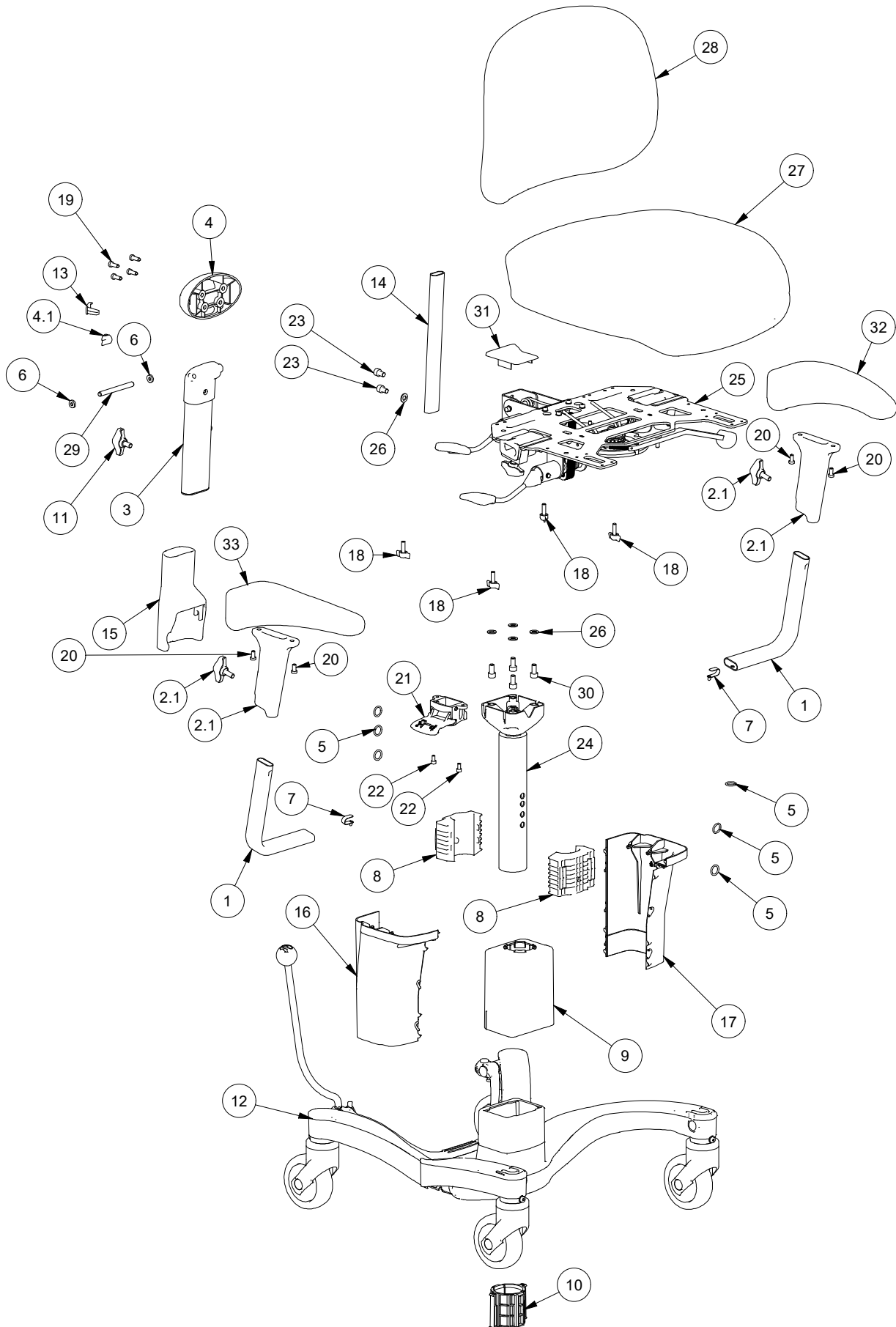
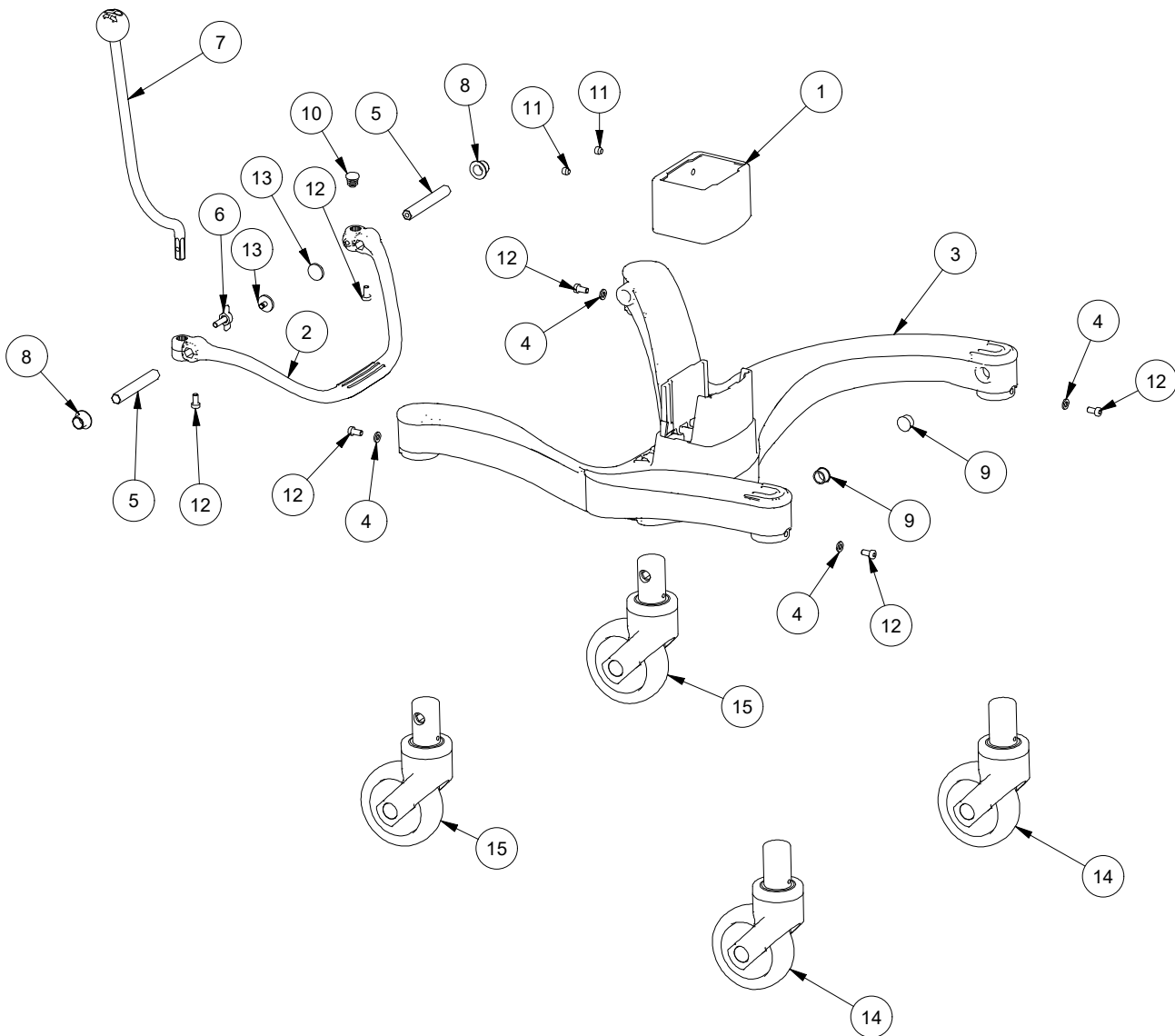




VELA Tango 700



| Pos | Pcs | Beskrivelse | Description | Beschreibung | Stock no |
|-----|-----|---|---|---|-----------------|
| 1 | 2 | Armlænsstang indst. 193 mm m/knopfjeder | Armrest tube adj. 193 mm | Armlehnenstange einstellbar 193 mm | 928693 |
| 2.1 | 2 | Armlæn højdejustering T700 | Armrest height adjustment T700 | Armlehnen höhe verstellbar | 928694 |
| 2.2 | 2 | Vingeskrue M8x20 mm | Wing screw M8x20 mm | Flügelschraube M8x20 mm | 928606 |
| 3 | 1 | Rygbøjle teleskopryg 240 mm | Backrest arm f/telescope back 240 mm | Rückenbügel 240 mm, Teleskop-Rücken | 928086 |
| 4 | 1 | Underlag ryghængsel u/stop, sort | Base f. backrest hinge wo/stop | Unterlage f. Rückenscharnier ohne stop | 926636 |
| 4.1 | 1 | Lås f. ryghængsel, sort | Lock for backrest hinge, black | Verschluss für Rückenbefestigung | 926638 |
| 5 | 6 | O-ring Ø15 x 2,5 | O-ring Ø15 x 2,5 | O-ring Ø15 x 2,5 | 928701 |
| 6 | 2 | Gummipakning t. underlag | Rubber disc to base for backrest hinge | Gummicheibe Unterlag Rückenscharnier | 926585 |
| 7 | 2 | Knopfjeder f/ 10 mm rør. 6 mm stift | Pop-out spring f/10 mm tube, 6 mm pin | Druckfeder f/10 mm Rohr, 6 mm Stift | 923362 |
| 8 | 2 | Bøsning f/gas | Bushing for gas spring | Buchse für Gasfeder | 928656 |
| 9 | 1 | Cover f/gas, bund, 150 mm | Cover f/gas, bottom, 150 mm | Abdeckung für Gas, unten, 150 mm | 928688 |
| 10 | 1 | Bøsning f/gas t/afstivning | Bushing for gas spring f/bracing | Buchse für Gasfeder f/Verspannung | 928709 |
| 11 | 1 | Vingeskrue M8x16 mm | Wing screw M8x16 mm | Flügelschraube M8x16 mm | 928990 |
| 12 | 1 | Stel m. hjul & bremse, bremsestang Hs og fodbr | Frame with wheels, hand- and footbrake | Untergestell m/Rollen, Hand- und Fussbremse | 427526596990700 |
| 13 | 1 | Låsetap f. ryghængsel, sort | Locking Pin f. backrest hinge, black | Sicherungsstift für Rückenbefestigung | 926637 |
| 14 | 1 | Kobling f. teleskopryg, L=265 bærelade 10/15 | Fitting f/telescope back, L=265, Seat support 10/15 | Kupplung f/Rück, L=265, Rückenbügel 10/15 | 928090 |
| 15 | 1 | Afdækning f. rygbøjle u/hul, teleskopryg | Cover f. backrest arm on telescope back | Abdeckung f/Rückenbügel, Teleskop-Rücken | 928087 |
| 16 | 1 | Cover f/gas, Hs, 150 mm | Cover f/gas, Rs, 150 mm | Abdeckung für Gas, Rs, 150 mm | 928679 |
| 17 | 1 | Cover f/gas, Vs, 150 mm | Cover f/gas, Ls, 150 mm | Abdeckung für Gas, Ls, 150 mm | 928680 |
| 18 | 4 | Vingeskrue M6x20 mm | Wing screw M6x20 mm | Flügelschraube M6x20 mm | 928674 |
| 19 | 4 | Skrue m/indv 6kt cyl. h lav, Galv, M6x16 mm | Screw M6x16 mm | Schraube M6x16 mm | 8013206016 |
| 20 | 4 | Skrue m/indv 6kt cyl. h lav, Sort m/lim, M6x12 | Screw M6x12 mm w/glue, black | Schraube M6x12 mm m/Kleber, Schwarz | 8013906012 |
| 21 | 1 | Udl.greb kpl m/wire m/piktogram under sæde | Release handle complete w/wire Tango 500/700 | Auslösergriff Komplett m/wire Tango 500/700 | 928110 |
| 22 | 2 | Bolt m/indv 6kt DIN 912 M5x10 mm | Screw M5x10 mm DIN912 | Schraube M5x10 mm DIN912 | 8001205010 |
| 23 | 2 | DIN 912 - M8 x 12 | DIN 912 - M8 x 12 | DIN 912 - M8 x 12 | 8001608012 |
| 24 | 1 | Gasfjeder UNI m/konus og greb m/wire, 350 N, 150 mm | Gas spring UNI w/cone and wire - 350 N 150 mm | Gasfeder UNI m/Konus und Draht - 350 N, 150 mm | 929147 |
| 25 | 1 | Bærelade mont. m/ OVA-befj.greb Hs | Seat Support fitted w/ OVA handles Rs | Trageplatte m/ OVA Auslöserhebeln Rs | 18762373878482 |
| 26 | 5 | Plan Skive DIN 125A, 8 mm Galvaniseret | Washer, Ø8 mm, DIN125A | Scheibe, Ø8 mm, DIN125A | 8802208 |
| 27 | 1 | Active sæde 44x44 cm Renewed Loop mørkegrå | Active seat 44x44 cm Renewed Loop dark grey | Active sitz 44x44 cm Renewed Loop dunkelgrau | 773227920693 |
| 28 | 1 | Ryg Active S 38x30 cm Renewed Loop mørkegrå | Back Active S 38x30 cm Renewed Loop dark grey | Rückenlehne Active S 38x30 cm Renewed Loop dunkelgrau | 08A25120693 |
| 29 | 1 | Aksel 8x85,5 mm | Axle Ø8x86 mm for backrest bracket | Achse Ø8x86 mm für Rücklehne halterung | 923284 |
| 30 | 4 | Bolt m/indv 6kt cylindr hoved M8x16 mm | Screw M8x16mm DIN912 | Schraube M8x16mm DIN912 Zylinderschr. m/Innensechs | 8001208016 |
| 31 | 1 | Rygafdækning konsol | Backrest console cover | Rück abdeckung | 928890 |
| 32 | 1 | Armlæns pude 21/22 Vs | Arm rest pad, left | Armauflage, links | 15104003 |
| 33 | 1 | Armlæns pude 21/22 Hs | Arm rest pad | Armauflage | 15204003 |



| Pos | Pcs | Beskrivelse | Description | Beschreibung | Stock no |
|-----|-----|--|--|--|------------|
| 1 | 1 | Topbespænding Uni stel | Top cover f/frame Uni | Obere Abdeckung f/Gestell Uni | 928649 |
| 2 | 1 | Bremseaksel Uni stel | Brake shaft, Uni frame | Bremse, Gestell Uni | 928650 |
| 3 | 1 | Uni stel sort metallic | Frame Uni, Black Metallic | Gestell Uni, Schwarz Metallic | 928648 |
| 4 | 4 | Skive, M6 Sort | Washer, M6 Black | Scheibe, M6 Schwarz | 8802806 |
| 5 | 2 | 6-kt. tap f/ bremsestang 11x1,25x85 mm | 6 side pin f/brake rod 11x1,25x85 mm | 6-kt. Verlust f/ Bremshebel | 928670 |
| 6 | 1 | Vingskrue M6x20 mm | Wing screw M6x20 mm | Flügelschraube M6x20 mm | 928674 |
| 7 | 1 | Bremsestang med kugle | Brake rod with ball | Bremshebel mit Kugel | 926763 |
| 8 | 2 | Bøsning Ø15xØ13x14 m/krave | Bushing ø15 w/collar | Buchse ø15 m/kragen | 928699 |
| 9 | 2 | Rørben Ø20 mm sort, Uni stel | Plug Ø20 mm, black, f/Uni frame | Stöpsel Ø20 mm, Uni Gestell | 928700 |
| 10 | 1 | Rørben Ø15 | Plug Ø15 mm | Abdeckstopfen Ø15 mm | 921694 |
| 11 | 2 | Pinolskrue m/indv 6kt, Sort, M8x8 | Hexagon Socket Set Screw M8 x 8 mm DIN 916 | Gewindestift DIN 916 M8 x 8 | 8004108008 |
| 12 | 6 | Skrue m/indv 6kt CH lav, Galv sort, M6x12, Lim | Screw M6x12 mm, black, glue | Schraube M6x12 mm, Schwarz, Kleber | 8013906012 |
| 13 | 2 | Gummi puffer Ø20 | Rubber buffer Ø20 | Gummipuffer Ø20 | 900232 |
| 14 | 2 | Hjul w/bremse, B:32 mm, ø100 mm, sort | Castor w/o brake, W:32 mm, ø100 mm, black | Rolle ø/Bremse, B:32 mm, ø100 mm, Schwarz | 015911 |
| 15 | 2 | Hjul m/Soft-lock B:32 mm, ø100 mm, sort | Castor w/Soft-lock W:32 mm, ø100 mm, black | Rolle m/Soft-lock, B:32 mm, ø100 mm, Schwarz | 015811 |